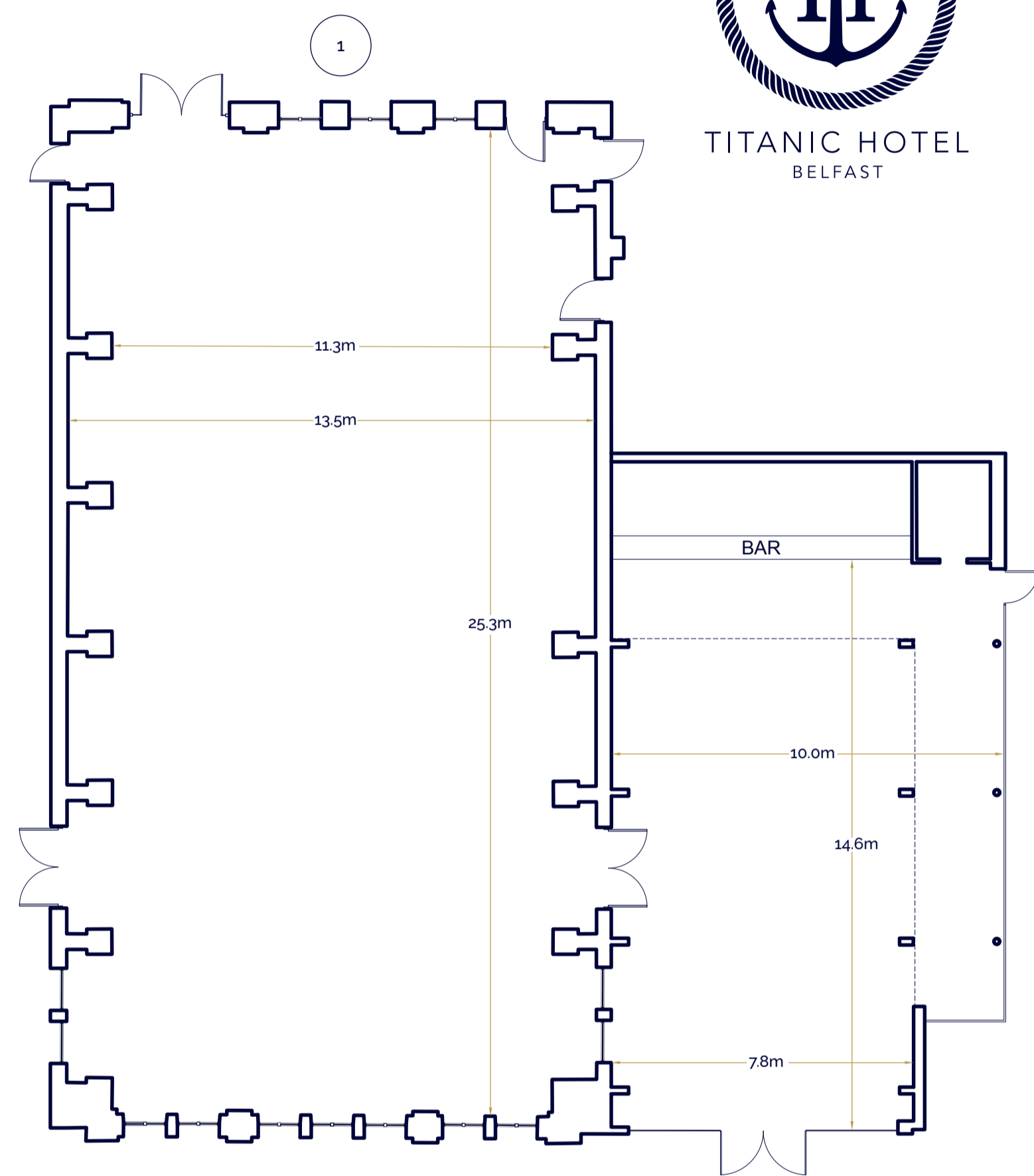




TITANIC HOTEL
BELFAST

Meetings and Events Space

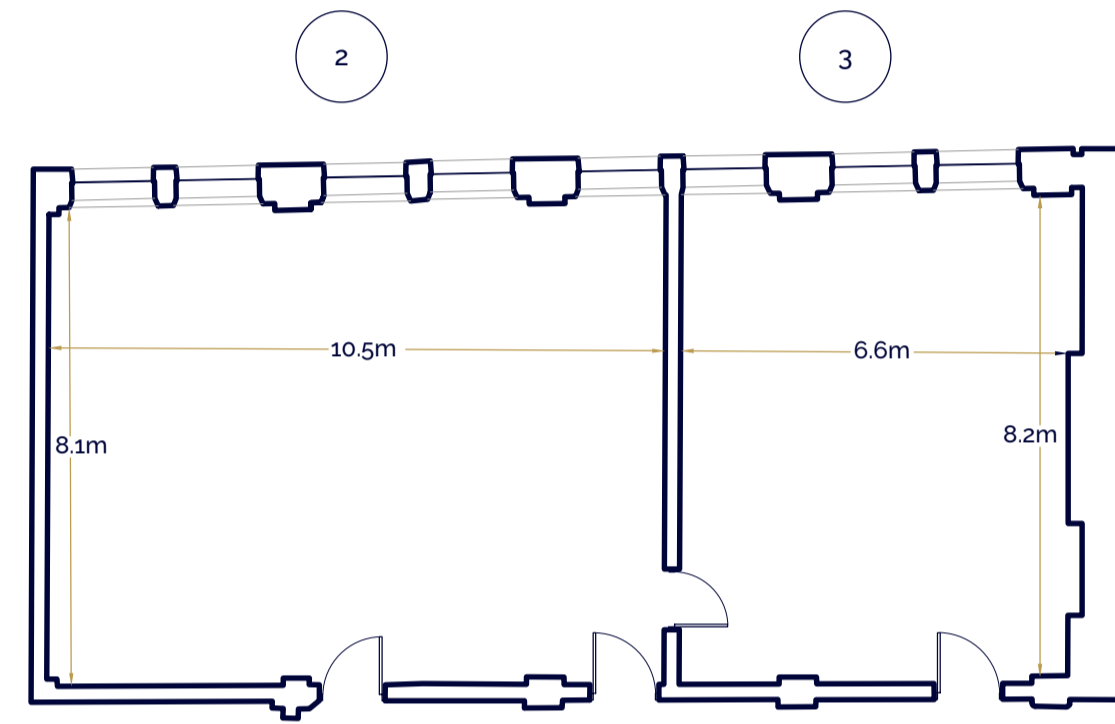


Drawing Office One

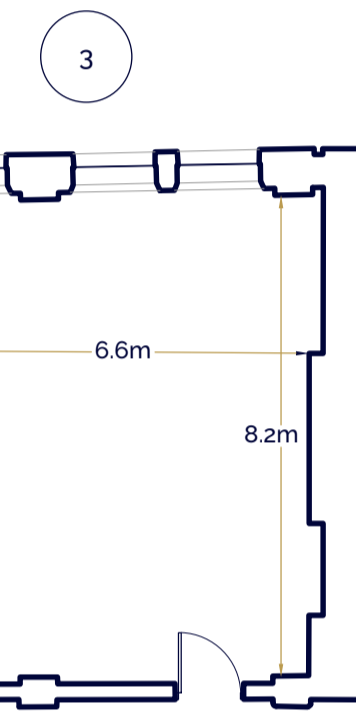
The Pavilion Bar
DRAWING OFFICE ONE PRIVATE ENTRANCE



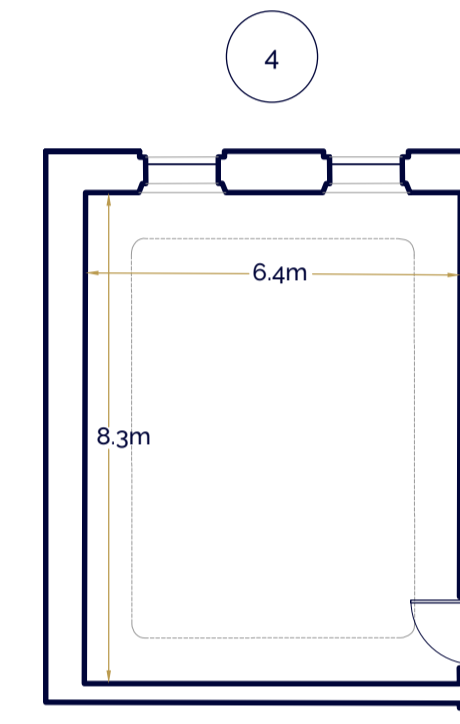
Drawing Office One Front Exterior



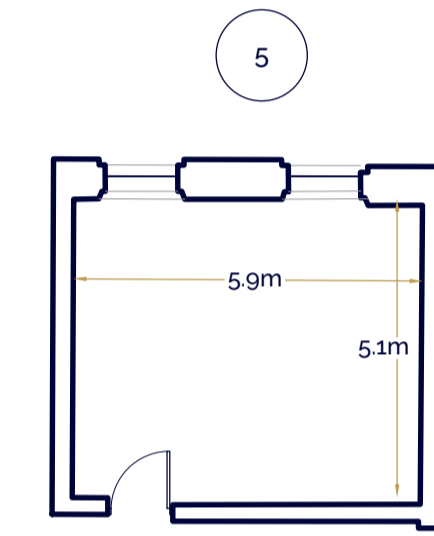
The Boardroom



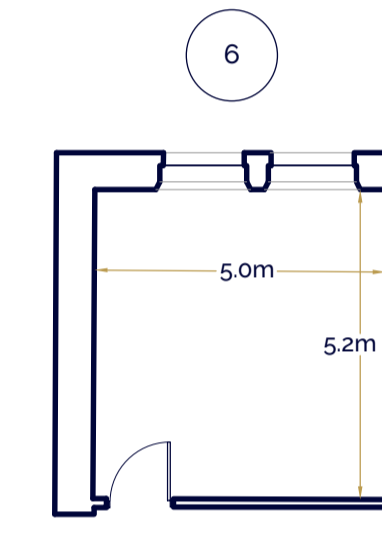
The Chairman's Office



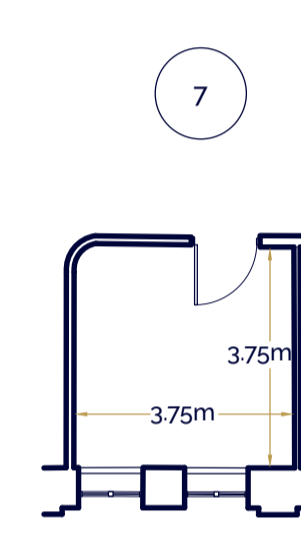
Lord Pirrie's Office



Thomas Andrew's Office



Mr Payne's Office



Telephone Exchange

ROOM	CAPACITY	SIZE FLOOR AREA	WIDTH & LENGTH (M)	CEILING HEIGHT (M)	THEATRE	BANQUET	CLASSROOM	CABARET	BOARDROOM	U-SHAPE
1 Drawing Office One WHERE TITANIC WAS DESIGNED	300	338 sqm	13.5 X 25.3	8.7	300	220	180	180	50	50
2 The Boardroom A LONG, HALL-LIKE ROOM	80	86 sqm	10.5 X 8.1	4.0	80	50	35	30	30	30
3 The Chairman's Office A SUMPTUOUS ROOM	40	56 sqm	6.6 X 8.2	4.0	40	30	20	20	20	20
4 Lord Pirrie's Office SPACIOUS & WELL PROPORTIONED	14	53 sqm	6.4 X 8.3	4.0	-	14	-	-	14	-
5 Thomas Andrew's Office A HANDSOME HERITAGE ROOM	10	30 sqm	5.9 X 5.1	4.0	-	10	-	-	10	-
6 Mr Payne's Office FOR SMALLER MEETINGS	8	26 sqm	5.0 X 5.2	4.0	-	8	-	-	8	-
7 The Telephone Exchange PERFECTLY FORMED	6	14 sqm	3.75 X 3.75	4.0	-	6	-	-	6	-